

# ADJUSTABLE VERTICAL CLOSET CARRIER - 500-LB. LOAD

## 837 SERIES

### SPECIFICATION

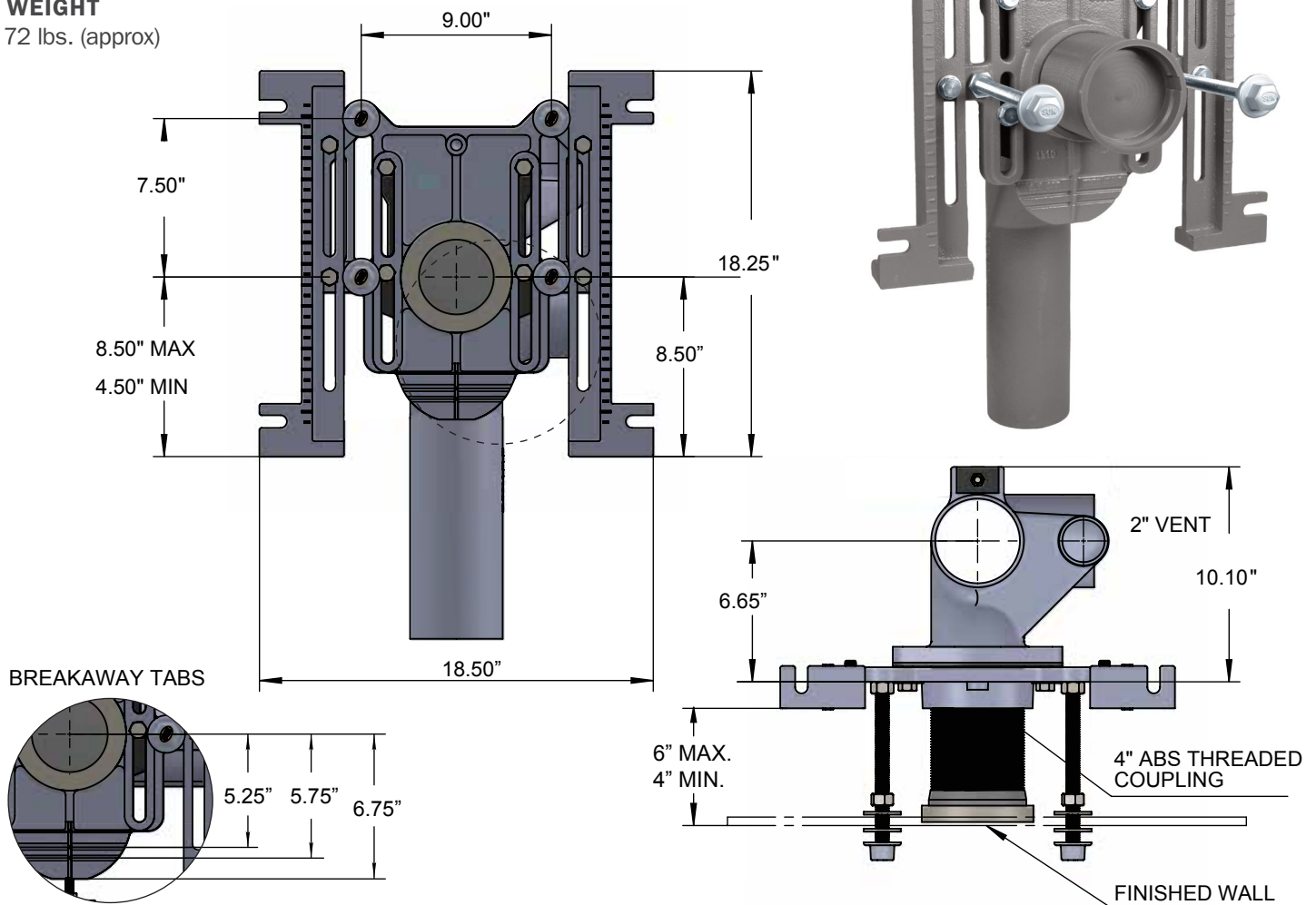
Sioux Chief 837 Series adjustable, vertical water closet carrier with 4" No-Hub connections and optional side inlets, rated for 500 lb. maximum static load. Includes coated cast iron right-hand or left-hand main fitting with 2" vent, adjustable faceplate with o-ring, floor mounted supports, adjustable ABS coupling with integral test cap, fixture bolts, trim, stud protectors, rear anchor and neoprene fixture gasket.

Designed in accordance with ASME A112.6.1M

Used with wall-mounted closet fixtures having no contact with the finished floor. The closet carrier is concealed within the wall and supports the load of the fixture through a faceplate mounted to floor-anchored supports.

### WEIGHT

72 lbs. (approx)



ITEM # SUBMITTED	_____
JOB NAME	_____
LOCATION	_____
ENGINEER	_____
CONTRACTOR	_____
PO#	_____ TAG _____

Create Item Number

## 837-A

e.g. **837-VS1R**: Adjustable vertical 500-lb. water closet carrier with right-side inlet fitting

### SIDE INLET A

**VS10** = No side inlets

**VS1L** = Left (single) side inlet

**VS12** = Two side inlets

**VS1R** = Right (single) side inlet

### OPTIONS B

**T** = 12" ABS threaded coupling  
(6" threaded coupling is standard)

### Accessories - Available Separately:

- 521-725: Copper-plated Carrier bracket with 1" CTS hole
- 521-728: Copper-plated Carrier bracket with 1" CTS notch
- 521-729: Copper-plated Carrier bracket with double 1" CTS holes
- 521-723BB: Copper-plated chase bracket
- 608-L4612: 1" M.SWT Copper stub out elbow (6" x 12")
- 624-L08: 1" M.SWT Copper stub out (8" long)
- 624-L12: 1" M.SWT Copper stub out (12" long)